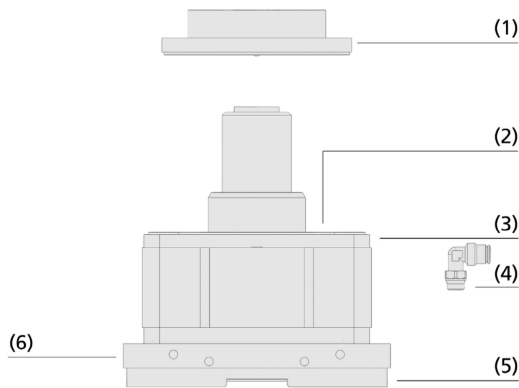


Mechanical Clamps VCMC-K1

Clamping range 10 mm to 100 mm



Mechanical Clamps VCMC-K1



System Design Mechanical Clamps VCMC-K1



Mechanical clamps VCMC-K1 for clamping frame parts

Suitability for Industry Specific Applications

- Mechanical clamping system for CNC machining centers with console table (single-circuit system)
- The mechanical clamps are actuated via vacuum and are equipped with an additional vacuum connection for fixing the clamp to the console
- Particularly suitable for narrow and curved workpieces such as frame parts and window profiles
- If the suction area is not sufficient, they can be clamped and machined safely mechanically

Design

- Eccentric clamping plate (1) is pulled down by the vacuum of the 1-circuit console via a piston in the clamp
- Friction material (2) for optimizing lateral force absorption
- Main body (3) made of aluminum with interface (5) to the console
- Additional vacuum connection (4) for fixing the suction cup to the console
- Optional fixing flap (6) for repeatable positioning

Product Highlights

- Eccentrically positioned clamping plates for optimum use of the clamping surface
- Holds even narrow workpieces securely with clamping forces of up to 700 N
- No additional medium necessary, as it can be activated via the operating vacuum of the CNC machining center
- Withstands the strongest lateral forces thanks to special friction materials

Mechanical Clamps VCMC-K1

Clamping range 10 mm to 100 mm

Designation Code Mechanical Clamps VCMC-K1

VCMC-K1	–	154x128x50	–	12-80
1		2		3

1 – Abbreviated designation

Code	Type
VCMC-K1	Mechanical clamp, 1-circuit console system

2 – Dimensions

Code	LxWxH in mm
154x128x50...	154x128x50 to
170x128x100	170x128x100

3 – Clamping range

Code	Clamping range in mm
12-80...	12-80 to 10-100
10-100	

The mechanical clamp VCMC-K1 is delivered assembled. The product consists of:

- Clamping plate
- Main body made of aluminium

Available spare parts: clamping plate

Ordering Data Mechanical Clamps VCMC-K1

Type	Part no.
VCMC-K1 154x128x50	with adjustment of the clamping plate by hexagon socket 10.01.12.00781
VCMC-K1 154x128x125	with adjustment of the clamping plate by hexagon socket 10.01.12.02497

Ordering Data Spare Parts Mechanical Clamps VCMC-K1

Type*	Part no.
Clamping disc Eccentric Flat	SPAN-TELL 110x14 EX VCMC 10.01.12.01980
Clamping disc Eccentrically standard	SPAN-TELL 110x25.5 EX VCMC 10.01.12.01930
Clamping disc Eccentrically high	SPAN-TELL 110x40.5 EX VCMC 10.01.12.01936

*Not for clamps with height 50 mm

Type	Spare Parts	Part no.
VCMC-K1 154x128x50	Clamping disc	SPAN-TELL 100x27.5 EXZ 12-80 VCMC 10.01.12.01783

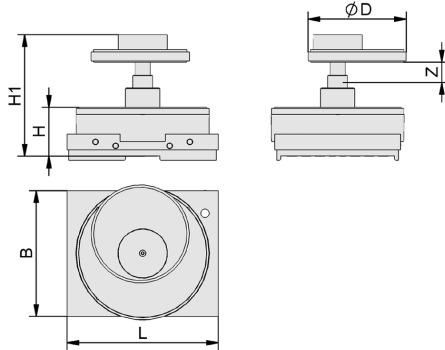
Technical Data Mechanical Clamps VCMC-K1

Type	Weight [kg]	Hose type construction	Clamping range [mm]
VCMC-K1 154x128x50	0.6	Hose D = 6 d = 4	12.0 ... 80.0 mm
VCMC-K1 154x128x125	4.5	Hose D = 6 d = 4	10.0 ... 100.0 mm

Mechanical Clamps VCMC-K1

Clamping range 10 mm to 100 mm

Design Data Mechanical Clamps VCMC-K1



VCMC-K1 12-80

Mechanical Clamps VCMC-K1

Clamping range 10 mm to 100 mm

Design Data Mechanical Clamps VCMC-K1

Type	B [mm]	D [mm]	H [mm]	H1 [mm]	L [mm]	Z (Stroke) [mm]
VCMC-K1 154x128x50	128	100	50	88	154	10
VCMC-K1 154x128x125	128	110	125	204	154	40